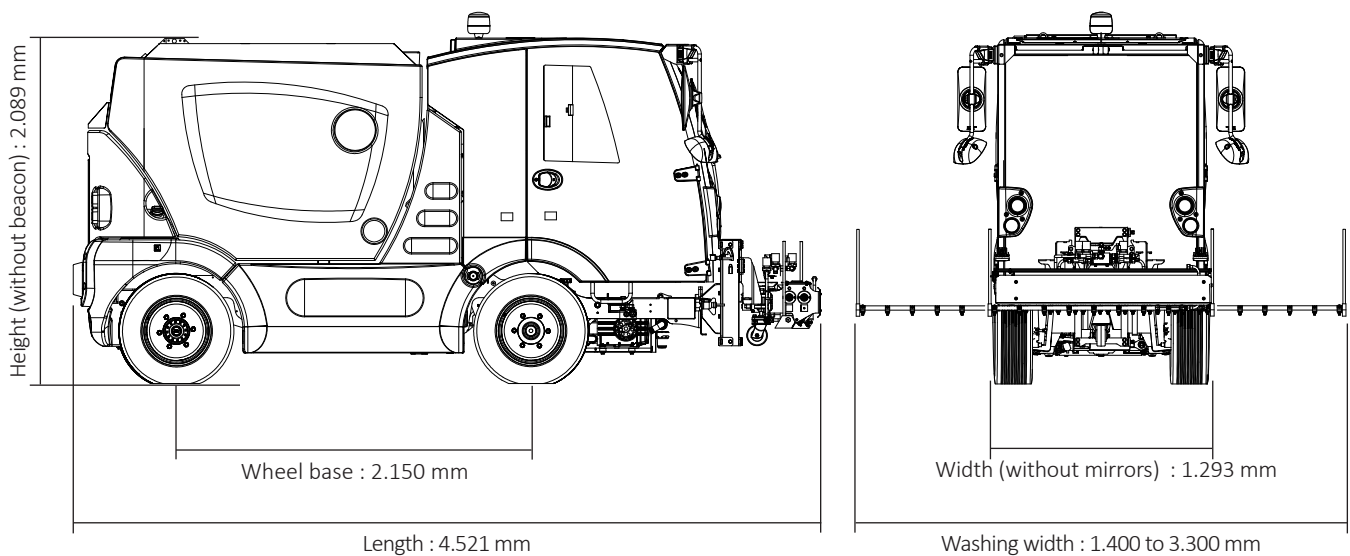


Type AQUADYNE MC 210
 Subject Technical and performance datas

Date 27.08.2019
 Version MC210-AQD-2019-001
 Number of pages 2

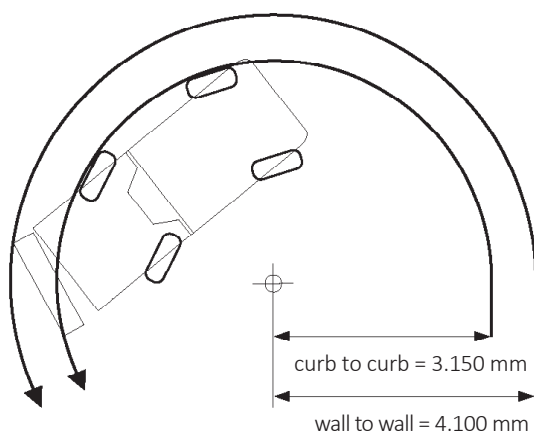
General characteristics

1.1. Dimensions



1.2. Steering

2 or 4 wheels steer with automatic realignment of rear axle in transit.
 Turning radius in wheels steer



1.5. Brakes

Front Disc brakes with dual braking system
 Rear Hydraulic brakes + drum brakes (optional)

1.7. Suspensions

Front and rear Leaf springs

1.3. Weight

Tare weight (without option) (kg) 3.100
 GVW (kg) 5.000
 Maximum weight on front axle (kg) 2.500
 Maximum weight on rear axle (kg) 2.500

1.4. Speeds

Transit mode speed (kph) 25 - 50
 Engine speed in transit mode (rpm) 950- 2.350
 Work speed (kph) 0 - 15
 Engine speed in work mode (kph) 1.400 - 1.700
 Gradeability (%) upto 28 %

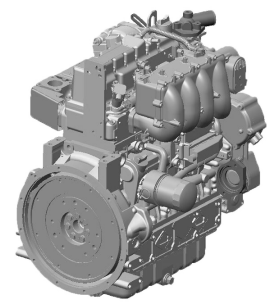
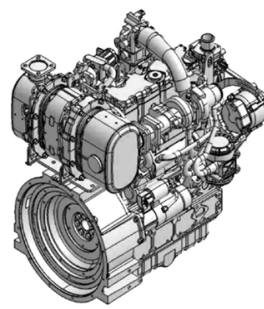
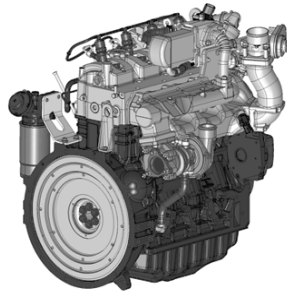
1.6. Tyres

Front 225/65 R16 C
 Rear 225/65 R16 C

1.8. Capacities

Fuel tank (liter) 70

02_ Engines



Make	VM R754 EU6C Common rail	KUBOTA V3800-CR-T-E5B	KUBOTA WG3800-G
Engine type	Diesel EURO 6 C	Diesel TIER IV / Stage V	Gasoline TIER 2 / CARB TIER 3 Stage V
After-treatment	Exhaust line with catalyst (DOC) and particle filter (DPF) + Selective Catalytic Reduction system (SCR) with AdBlue injection (14 liter tank) Particle counter (PM sensor)	Exhaust system with catalyst (DOC) and particle filter (DPF) Particle counter (PM sensor)	Exhaust with catalytic converter + muffler
Cubic capacity (cm ³)	2.970	3.800	3.800
Number of cylinders	4	4	4
Maximum power	62 kW @ 2.300 rpm (83 BHP)	55,4 kW @ 2.200 rpm (74 BHP)	58 kW @ 2.200 rpm (78 BHP)
Maximum torque	270 Nm @ 1.350 rpm	310 Nm @ 1.500 rpm	255 Nm @ 1.400 rpm

03_ Work performances

3.1. Water pumps

Medium pressure water pump (standard)
High pressure water pump (option)

108 L/min- 60 Bar + MITRA hand lance and 5 m hose
20 L/min- 150 Bar + HP hand lance and 5 m hose

3.2. Water tank

Material 4016 stainless steel
Capacity (liter) 1.900

3.3. Washing spray bar (options)

1 fixed spray bar and 2 side jets

Work width (mm) 1.400
Spray bar control from the cab Joystick + Keypads
Spray bar tilting Right / Left, hydraulically adjustable
Spray bar lifting Height hydraulically adjustable
Wheel for ground support 1

1 fixed spray bar and 2 telescopic lateral bars + 2 side jets

Work width (mm) 1.400 - 3.300
Spray bar control from the cab Joystick + Keypads
Spray bar extension Independant left/right control, hydraulically adjustable
Spray bar tilting Right / Left, hydraulically adjustable
Spray bar lifting Height hydraulically adjustable
Wheel for ground support 1

3.4. Washing booms (options)

360° boom with 15 m. automatic reel linked to MP with MITRA hand lance

360° boom with 15 m. automatic reel linked to HP with MITRA hand lance

04_ Environmental performances

4.1. Consumptions

Mixte consumption (liter/h) 5,0 (EU6) - 5,5 (T4) - 6,5 (G)

4.3. Sound emissions

Acoustic power outside LWA (dB A) 103 (EU6) - 104 (T4) - 101 (G)

4.4. Vibrations

Entire body (seat) (a_{wzs}) don't exceed 0,5 m/s²
Upper limbs (steering wheel) (a_{hv}) don't exceed 2,5 m/s²