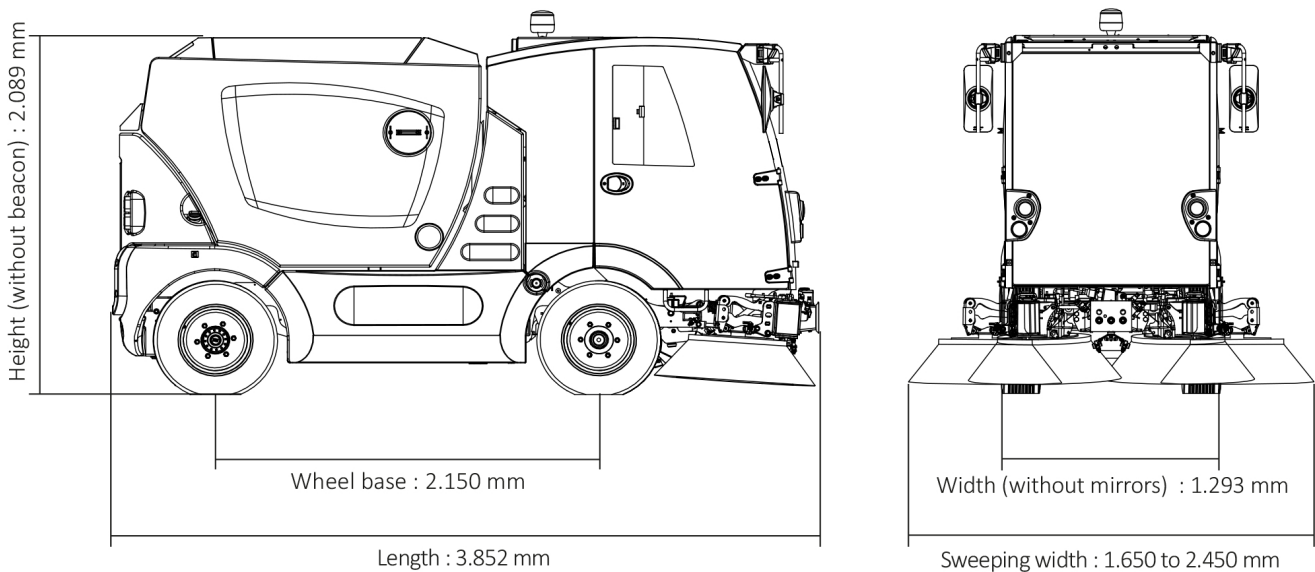


Type AZURA MC 210
Subject Technical and performance datas

Date 09.03.2016
Version MC210-AZC-2017-000
Number of pages 2

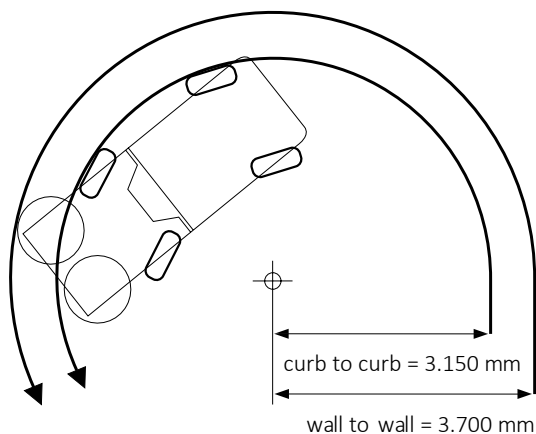
1_ General characteristics

1.1. Dimensions



1.2. Steering

2 or 4 wheels steer with automatic realignment of rear axle in transit.
 Turning radius in 4 wheels steer



1.5. Brakes

Front Disc brakes with dual braking system
Rear Hydraulic brakes + drum brakes (optional)

1.7. Suspensions

Front and rear Leaf springs

1.3. Weight

Tare weight (depending on the option) (kg)	3.600
GVW (kg)	5.000
Maximum weight on front axle (kg)	2.500
Maximum weight on rear axle (kg)	2.500

1.4. Speeds

Transit mode speed (kph)	25 - 50
Engine speed in transit mode (rpm)	950- 2.350
Work speed (kph)	0 - 15
Engine speed in work mode(kph)	1.400 - 2.000
Gradeability (%)	upto 28 %

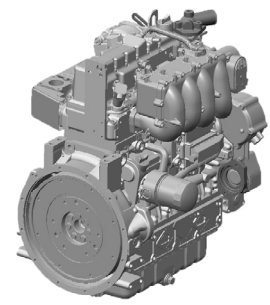
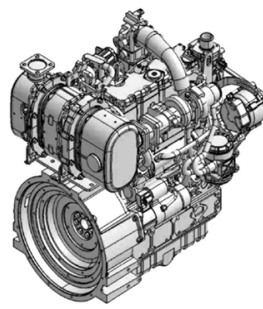
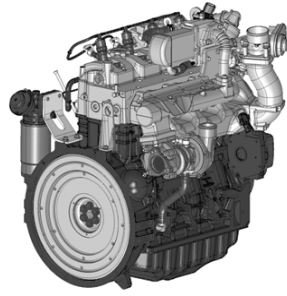
1.6. Tyres

Front	225/65 R16 C
Rear	225/65 R16 C

1.8. Capacities

Fuel tank (liter)	70 - 62 (Gasoline)
Clean water tank (liter)	300 - 280 (Gasoline)
Additional water tank (liter)	240 (optional)

02_ Engines



Make	VM R754 EU6C Common rail	KUBOTA V3800-CR-T-E5B	KUBOTA WG3800-G
Engine type	Diesel EURO 6	Diesel TIER IV / Stage V	Gasoline TIER 2 / CARB TIER 3
After-treatment	Exhaust line with catalyst (DOC) and particle filter (DPF) + Selective Catalytic Reduction system (SCR) with AdBlue injection (14 liter tank) Particle counter (PM sensor)	Exhaust system with catalyst (DOC) and particle filter (DPF) Particle counter (PM sensor)	Exhaust with catalytic converter + muffler
Cubic capacity (cm ³)	2.970	3.800	3.800
Number of cylinders	4	4	4
Maximum power	62 kW @ 2.300 rpm (83 BHP)	55,4 kW @ 2.200 rpm (74 BHP)	65 kW @ 2.600 rpm (78 BHP)
Maximum torque	270 Nm @ 1.350 rpm	310 Nm @ 1.500 rpm	255 Nm @ 1.600 rpm

03_ Work performances

3.1. Sweeping system

Sweeping width (mm)	1.650- 2.450
Number of brushes	2
2 brushes sweeping	Standard integrated Push&Pull system (PPS)
Control of the brushes	Joystick
Brush diameter (mm)	900
Brush rotation speed (rpm)	adjustable up to 120
Sweep rate / output (m ³ /h)	33.000- 36.750 (theoretical max.)

3.2. Waste hopper

Material	4016 stainless steel
Payload (kg)	1.500
Voided volume (m ³)	2
Dumping height (mm)	1.400

3.3. Suction system

Suction nozzle dimension (mm)	540 x 200
Material	Stainless steel and CREUSABRO reinforcements
Suction tube diameter (mm)	250
Suction tube material	Treated polyurethane
Blower capacity (m ³ /h)	13.000

04_ Environmental performances

4.1. Consumptions

Mixte consumption (liter/h)	5,0 (EU6) - 5,5 (T4) - 6,5 (G)
-----------------------------	--------------------------------

4.3. Sound emissions

Acoustic power outside L _{WA} (dB A)	103 (EU6) - 104 (T4) - 101 (G)
---	--------------------------------

4.2. PM 2,5 / PM 10 emissions

Level	4 stars
-------	---------

4.4. Vibrations

Entire body (seat) (a _{wzs})	don't exceed 0,5 m/s ²
Upper limbs (steering wheel) (a _{hv})	don't exceed 2,5 m/s ²